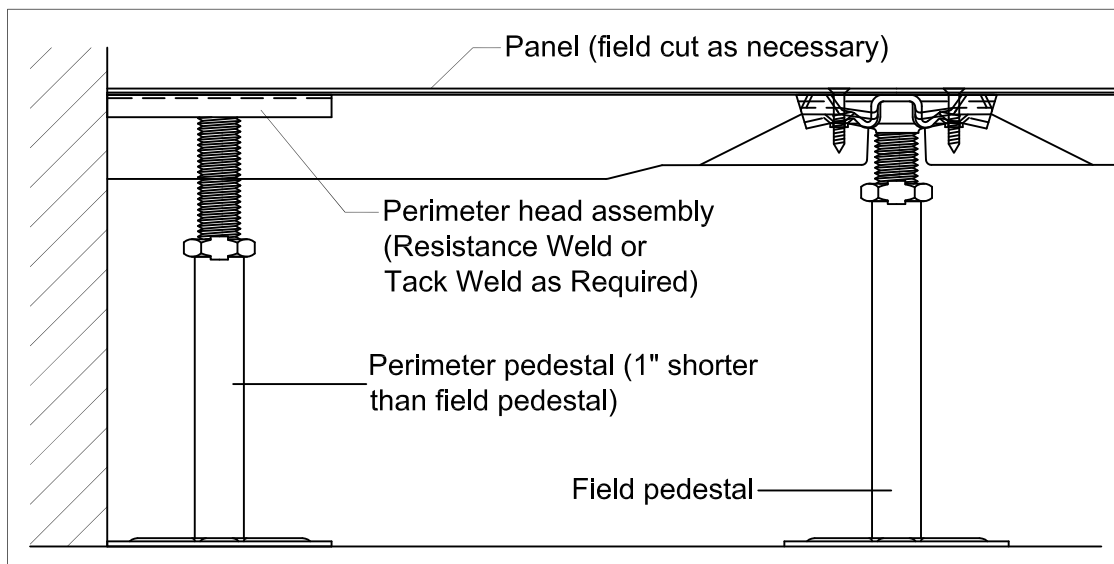


- LEGEND**
1. 7/8" wide x 3/8" deep x 4" long x 16 ga formed steel hat channel
 2. Steel stud
3/4" - 10 UNC
 3. Nut with vibration proof locking device
 4. Type 1 base with 7/8" sq. x 17 ga. wall galv. tubing (or other base as required)
 5. Resistance Weld



PERIMETER CONDITION FOR POSILOCK SYSTEM