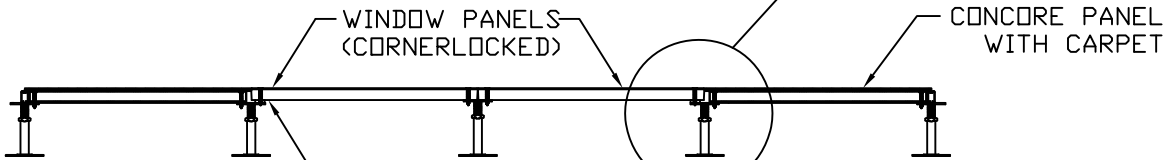
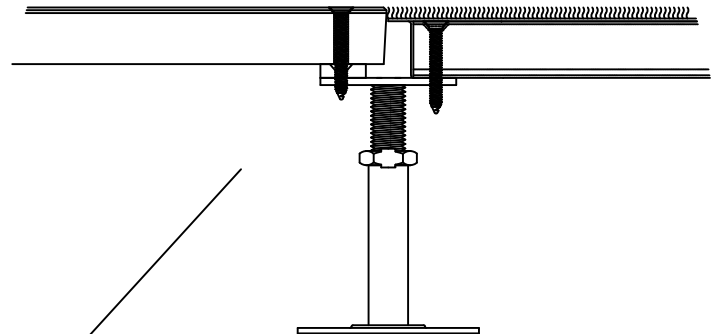
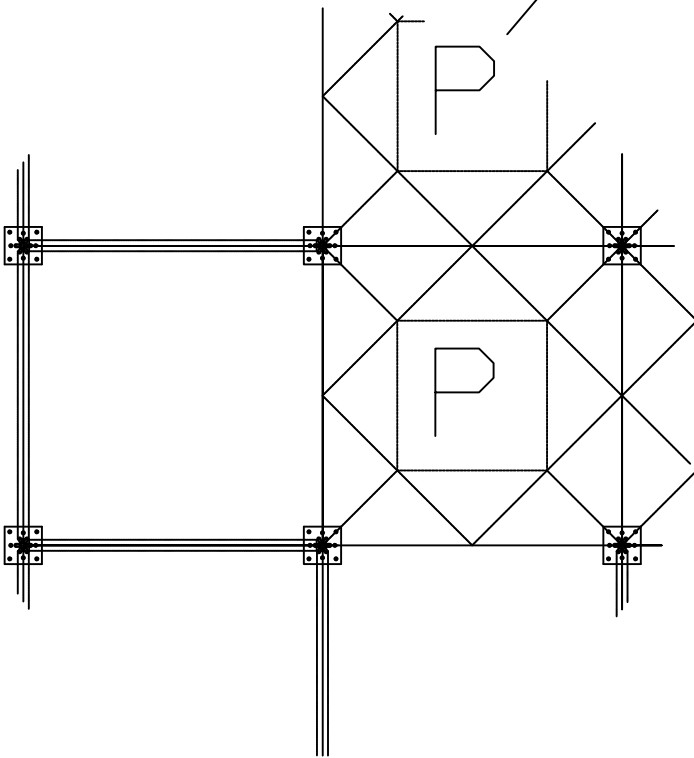


ARIAL VIEW OF WINDOW PANELS (NO STRINGERS UNDER WINDOW PANELS)



USE SPACER UNDER 1-1/4" THICK WINDOW PANELS TO MATCH UP WITH CONCRETE PANELS WITH COVERING. THICKNESS OF SPACER WILL DEPEND ON PANEL AND COVERING SELECTED